

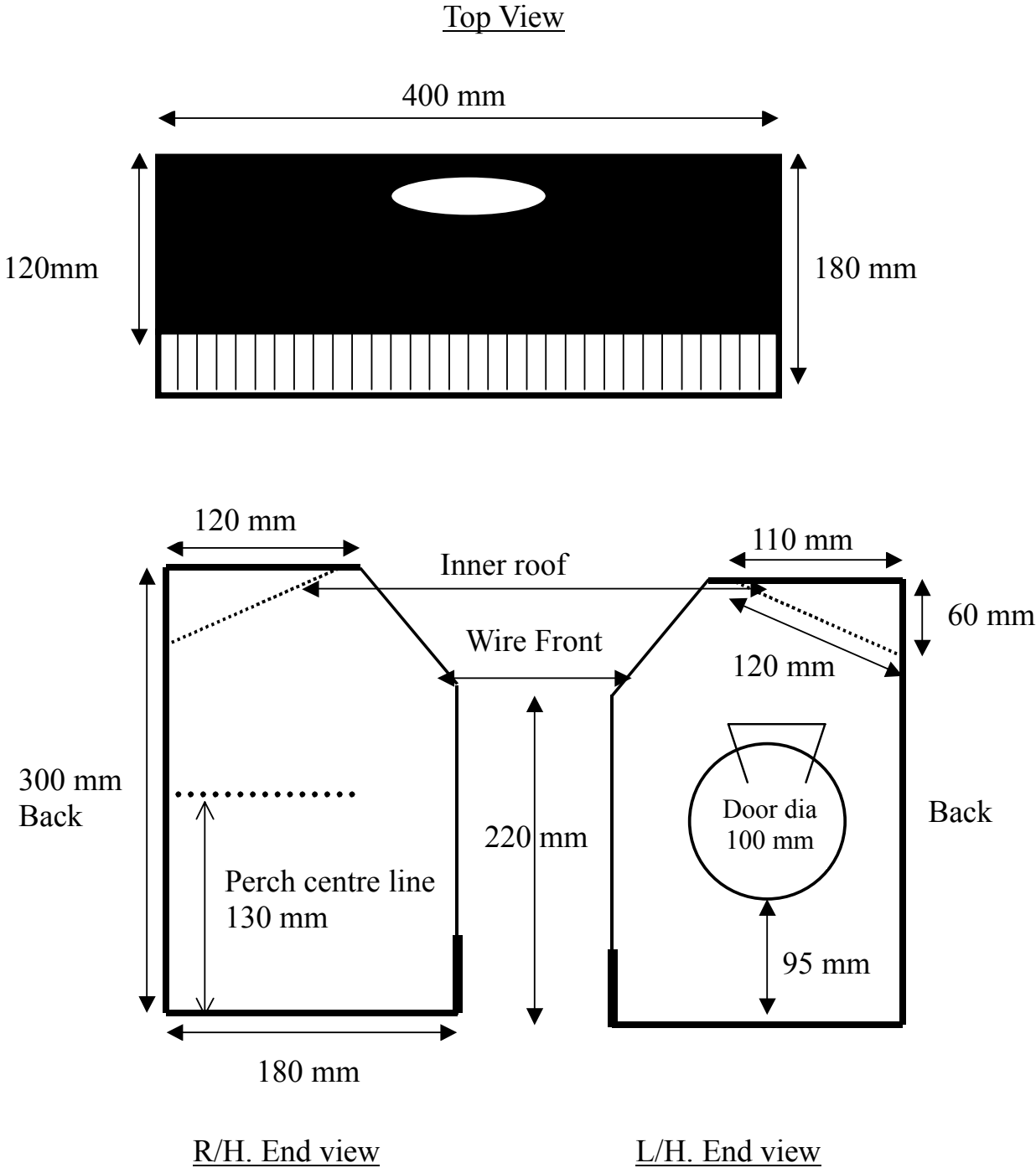
## Show Cage Sizes— Australian Finches



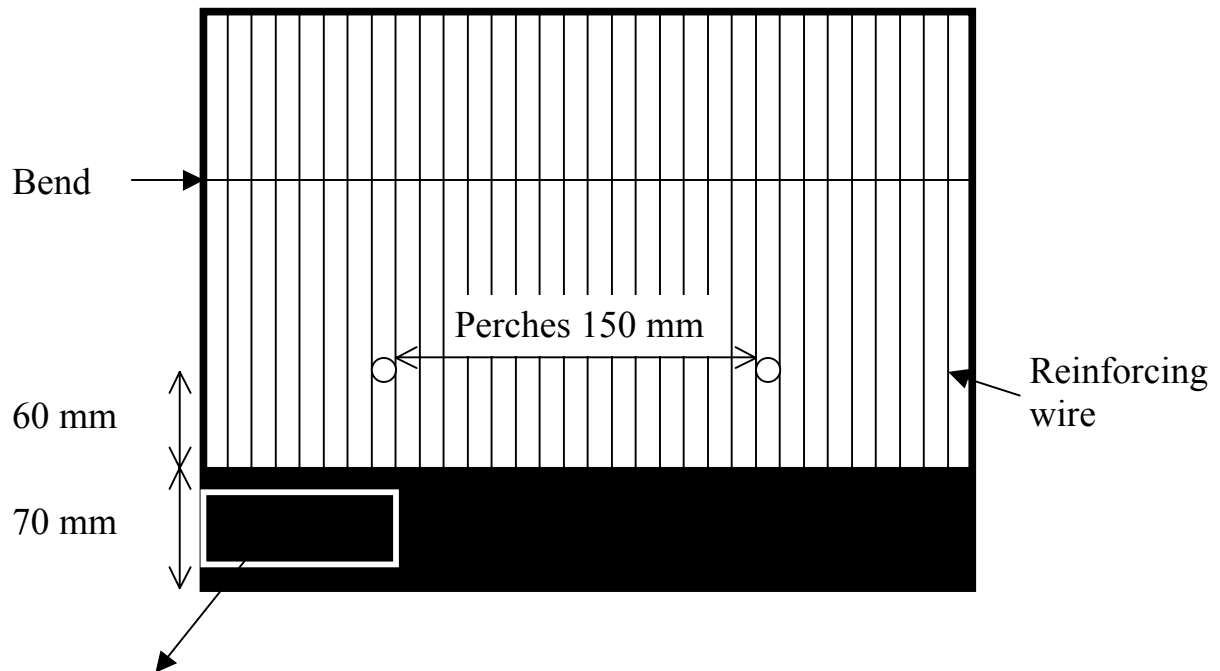
This fact sheet details the specification of the Show Cage that can be used to exhibit Australian Finches in the United Kingdom.

Other fact sheets in this series are available covering the requirements for other species of birds.

This cage can be used for the showing of a single Australian Finch or a pair of Australian Finches.



### Front view



Drinker door. 90mm x 40mm Opens from centre to outside of cage.  
Two wire safety door on inside closes to inner cage wall when closed.  
White plastic Drinker mounted by sliding into fixing on inside of door.

**Exterior colour and wires :** Gloss Black.

**Interior colour :** Matt White.

**Perches :** 10 mm Unpainted wood dowel with boss on rear wall. Evenly spaced 150mm apart and 130mm from cage floor.

**Cage label :** Positioned in centre of front rail.

**Floor covering :** Seed.

This fact sheet has been produced for:  
The NCA —Spring Gardens, Northampton NN1 1DR  
[www.nca.uk.net](http://www.nca.uk.net)